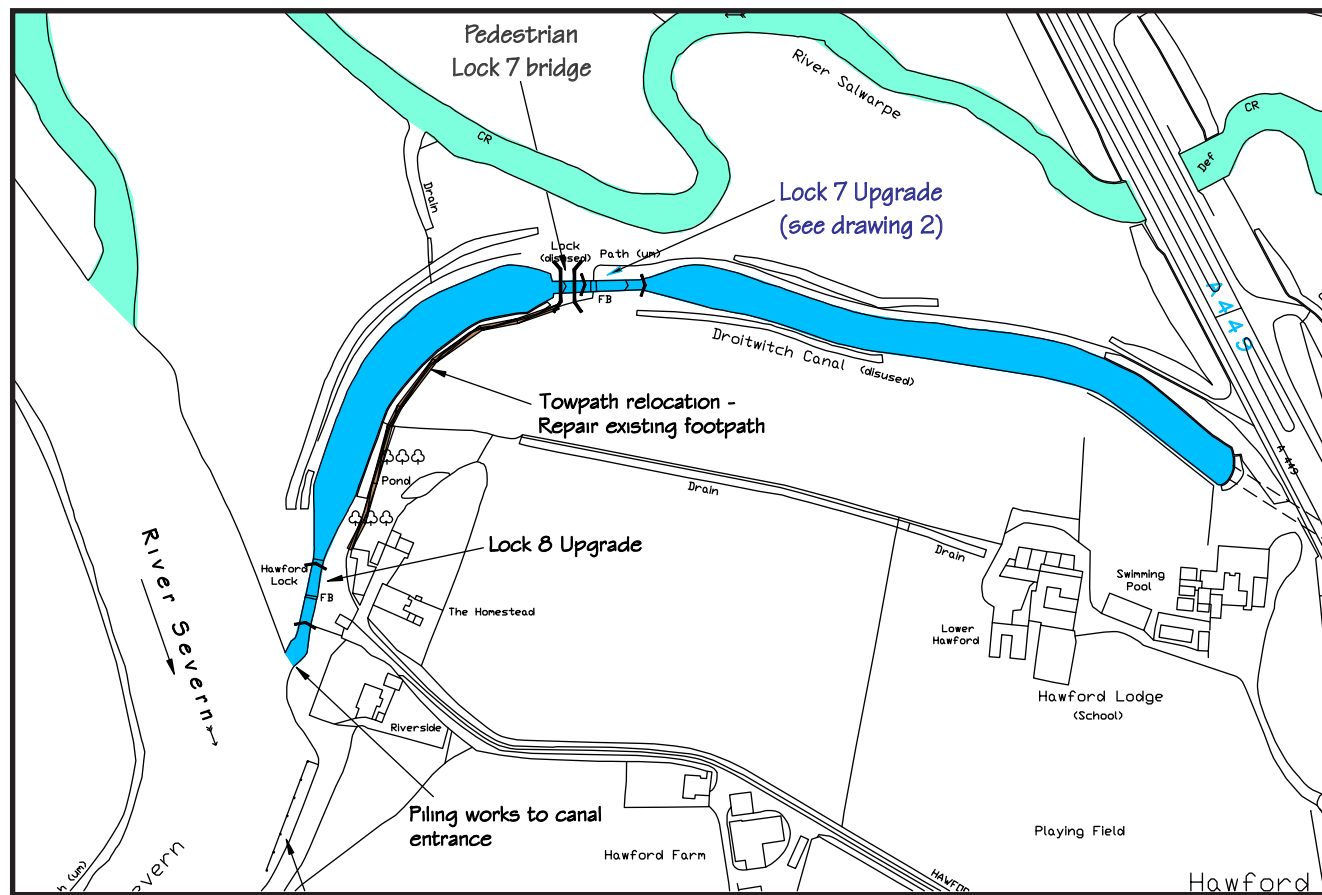
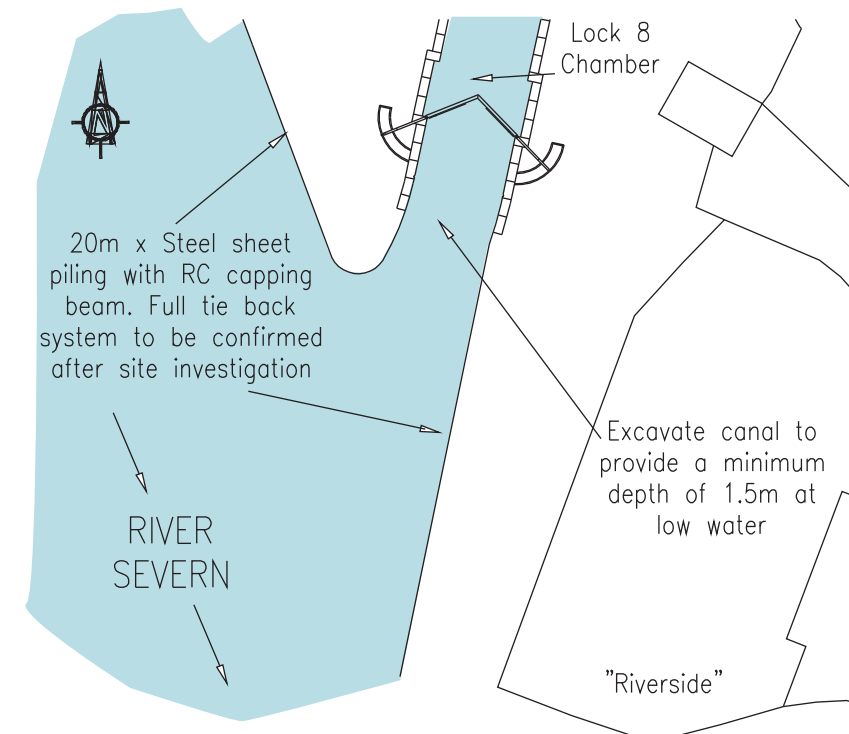


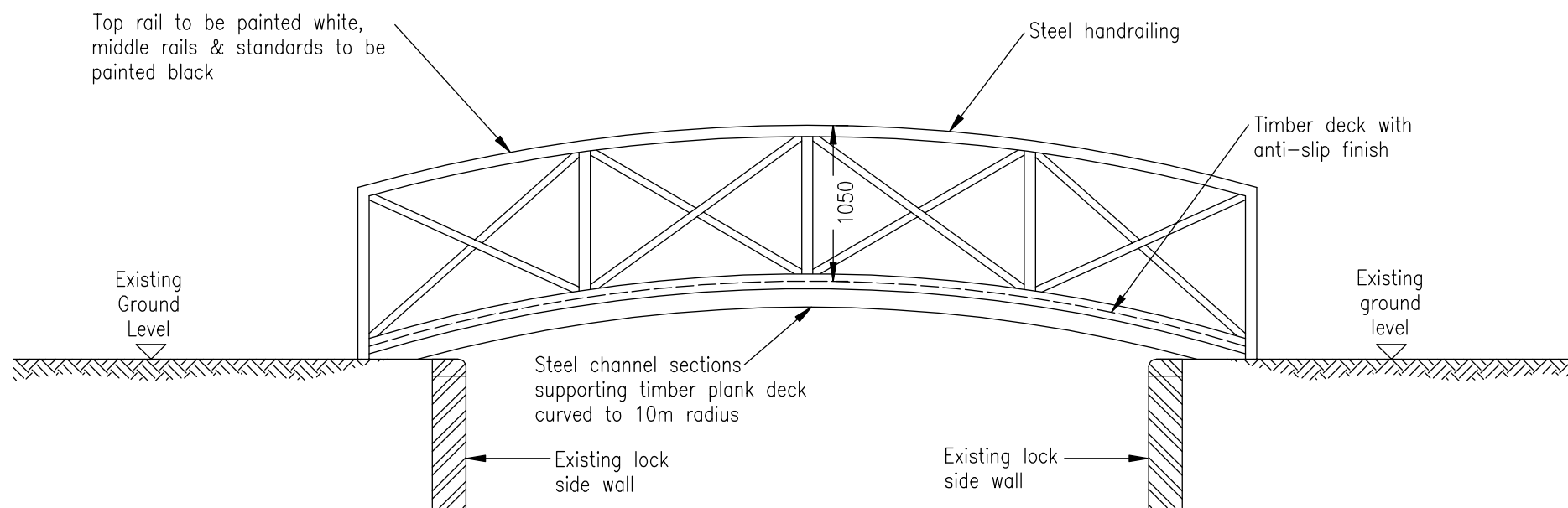
Restoration of Droitwich Barge & Junction Canals



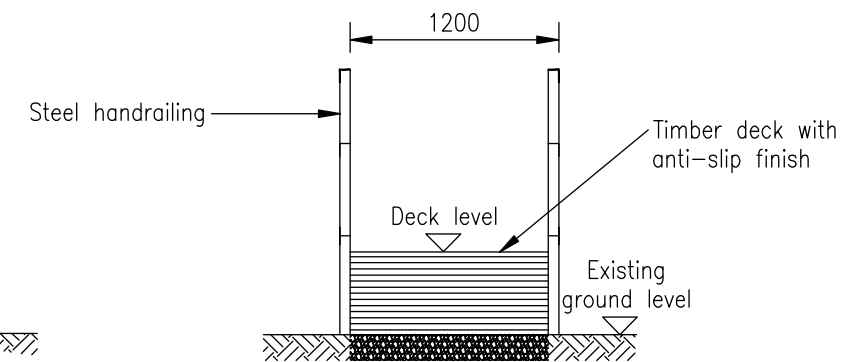
Location Plan



Plan of Piling Works to Canal Entrance



Typical Elevation of Proposed Pedestrian Bridge



Typical Section Through Proposed Pedestrian Bridge

Proposal Drawing 1

Works to river entrance and footbridge for Barge Lock 7